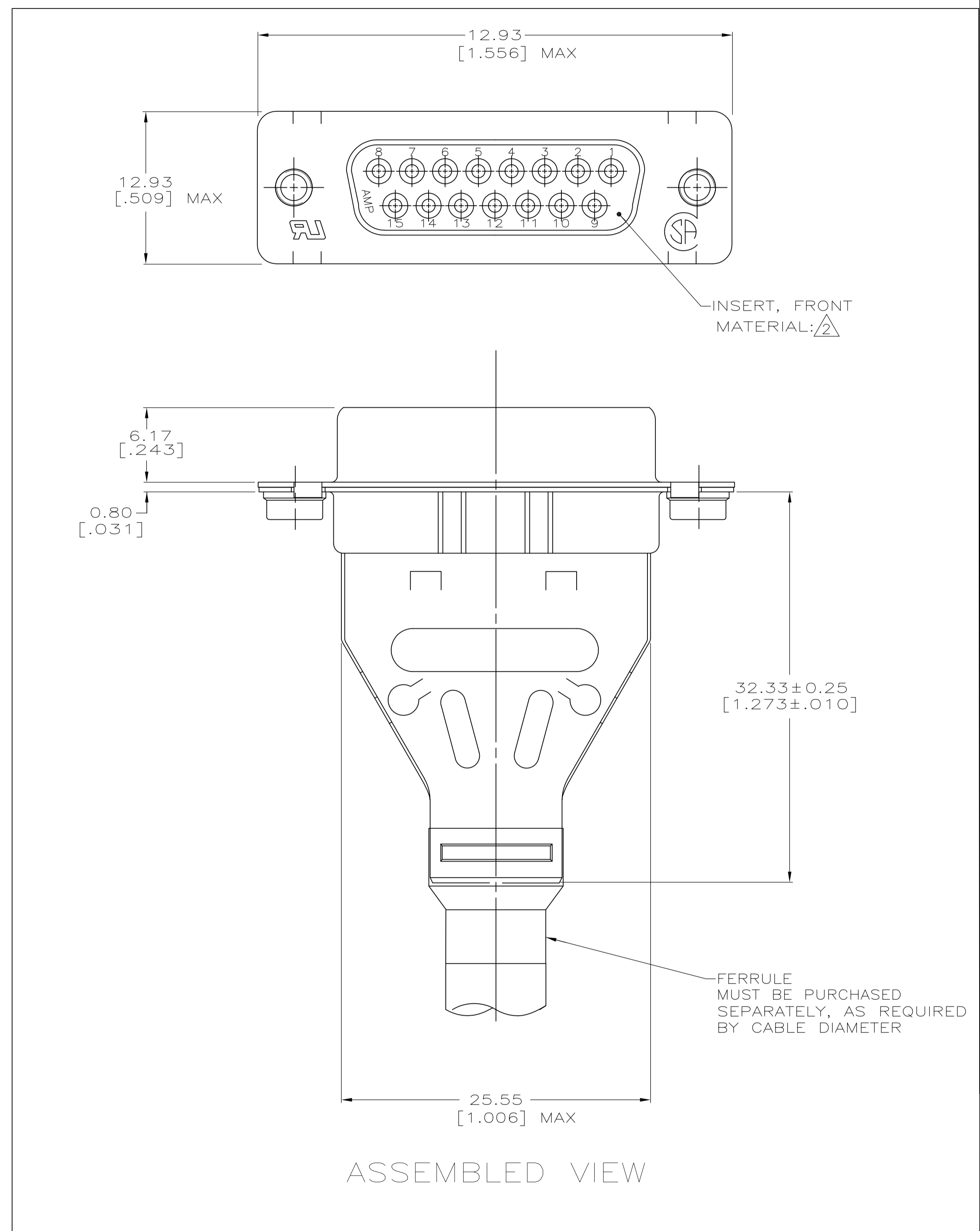
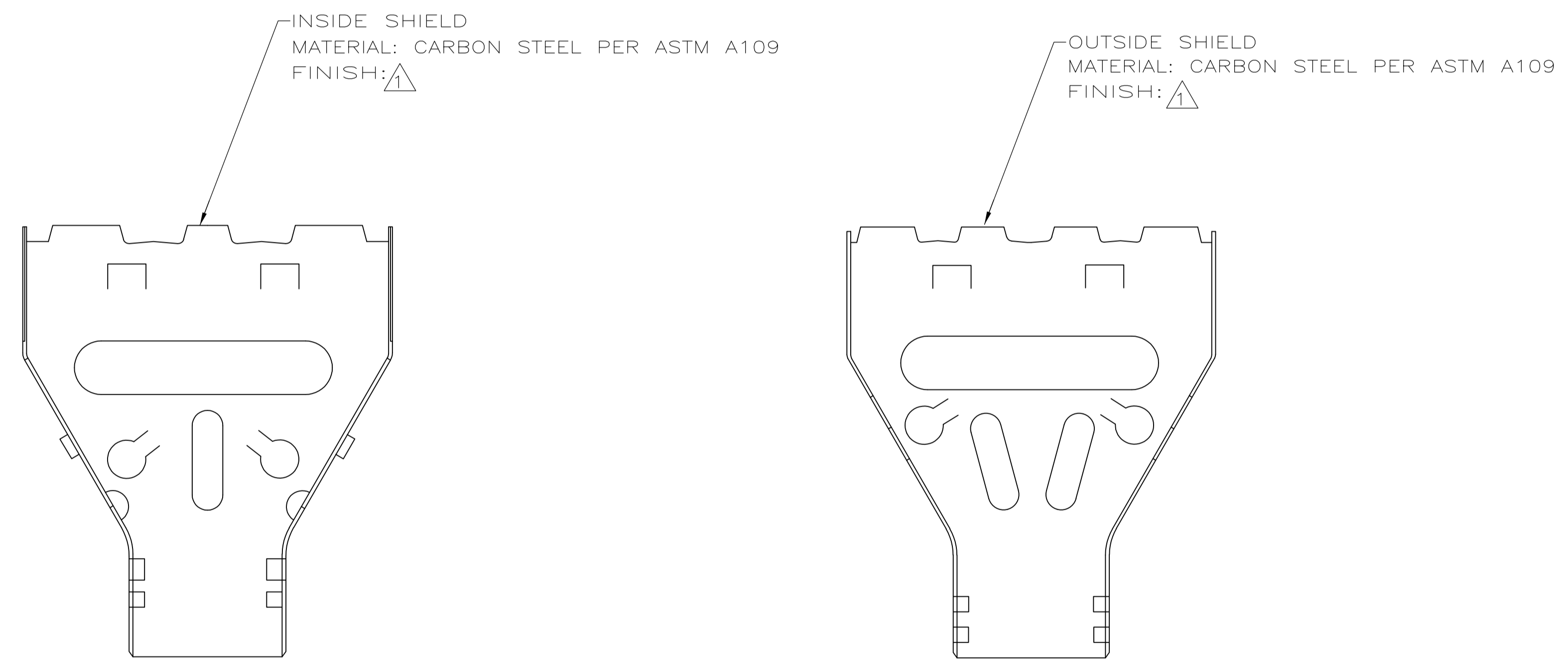
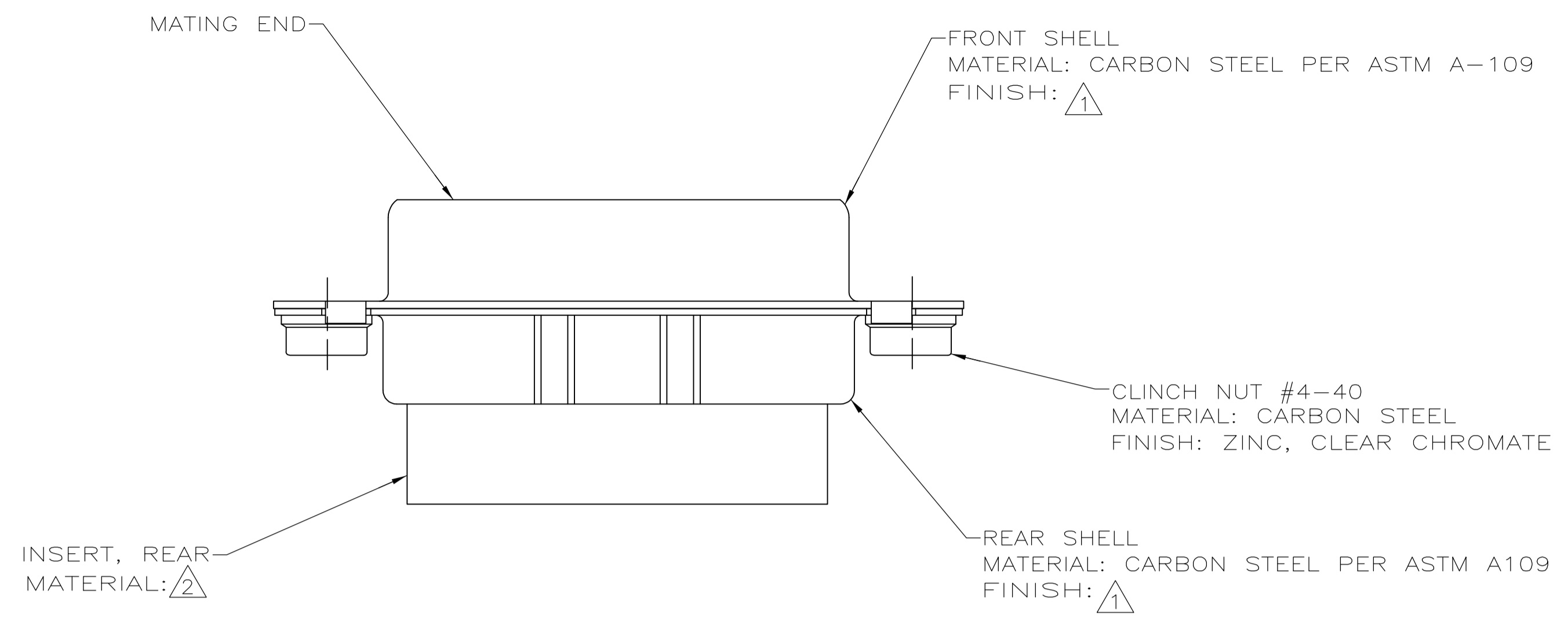


LOC		DIST		REVISIONS			
GP	00	REV	DATE	BY	CHK	APP	
A	REVISED PER ECO-14-011808	12AUG2014	AP	SB			



- 1 5.08µm [.000200] MIN TIN OVER 2.54µm [.000100] MIN COPPER.
- 2 GLASS-FILLED PBT OR GLASS-FILLED NYLON, UL94V-0 RATED. COLOR: BLACK.

5787908-1
PART NO

THIS DRAWING IS A CONTROLLED DOCUMENT.		DIN G. ATTADIA - 11-12-04		STE TE Connectivity	
DIMENSIONS: mm [INCHES]		TOLERANCES UNLESS OTHERWISE SPECIFIED:		NAME: M. WALMSLEY 11-12-04	
0. PLC ± -	1. PLC ± -	2. PLC ± 0.13 [.005]	3. PLC ± -	RECEPTACLE KIT, UNASSEMBLED, 15 POSN, SIZE 2, WITH CLINCH NUTS, HDP-20 AMPLIMITE	
4. PLC ± -	ANGLES ± -		APPLICATION SPEC 114-40030		RESTRICTED TO
MATERIAL SEE CALLOUTS		FINISH SEE CALLOUTS		SIZE A1	CAGE CODE 00779
		WEIGHT -		DRAWING NO 5787908	
		CUSTOMER DRAWING		SCALE 4:1 SHEET 1 OF 1 REV A	